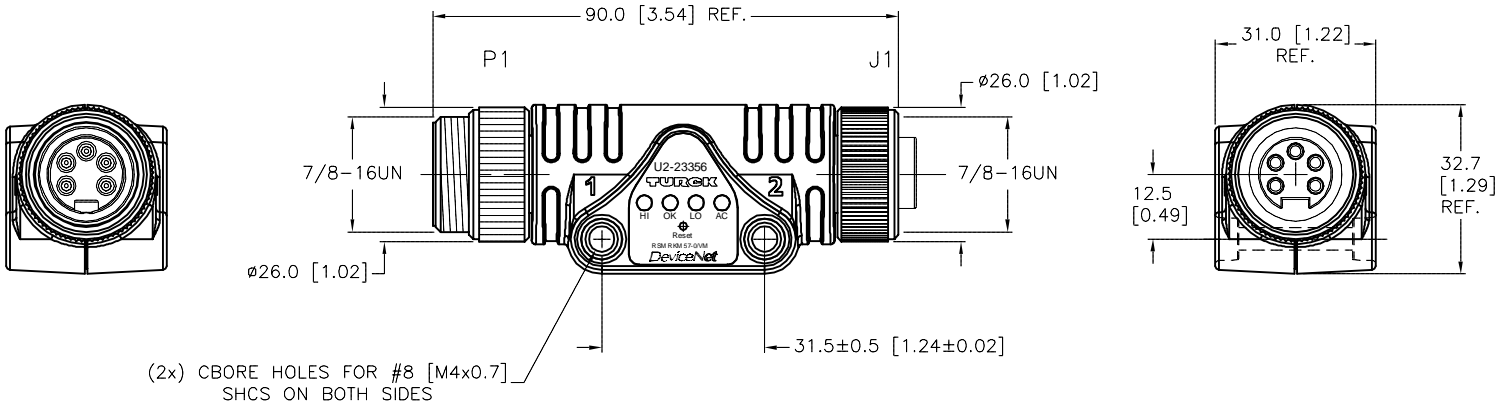


SPECIFICATIONS	
MOLDED BODY MATERIAL/COLOR	NYLON/BLACK
CONTACT CARRIER MATERIAL/COLOR	TPU/BLUE-GRAY
CONTACT MATERIAL/PLATING	BRASS/GOLD
COUPLING NUT MATERIAL/PLATING	BRASS/NICKEL
RATED CURRENT [A]	9.0 A
RATED VOLTAGE [V]	30 V
TEMPERATURE RANGE	-40°C TO +105°C (-40°F TO +221°F)
PROTECTION CLASS	MEETS NEMA 1,3,4,6P AND IEC IP67



ELECTRICAL CHARACTERISTICS:  
POWER SUPPLY - 7V-30VDC

LED INDICATORS  
 LOW VOLTAGE THRESHOLD - 12.4V (MINIMUM)  
 "OK" VOLTAGE THRESHOLD - 12.96V - 24.78V  
 HIGH VOLTAGE THRESHOLD - 25.3V (MAXIMUM)  
 GLITCH THRESHOLD - 1.26V (1.6MS RISE TIME), 0.67V (1MS RISE TIME)  
 RIPPLE THRESHOLD - 1.5V P-P 20-250HZ, 2.6V P-P 10-20H

SOURCE DRAWING - FOR REFERENCE ONLY

RELATED DOCUMENTS 1. 2. 3. 4.	3RD ANGLE PROJECTION 	THIS DRAWING IS CONFIDENTIAL AND THE PROPERTY OF TURCK INC. USE OF THIS DOCUMENT WITHOUT WRITTEN PERMISSION IS PROHIBITED.		3000 CAMPUS DRIVE MINNEAPOLIS, MN 55441 1-800-544-7769 (763) 553-7300 (763) 553-0708 fax turck.com		
		DRFT RDS APVD T.S.	DATE 07/10/14 SCALE 1=1.5	DESCRIPTION RSM RKM 57-0/VM		
	MATERIAL SEE SPECIFICATIONS	ALL DIMENSIONS DISPLAYED ON THIS DRAWING ARE FOR REFERENCE ONLY	UNIT OF MEASUREMENT <b>MILLIMETERS</b>		IDENTIFICATION NO. U2-23356	REV A
	FINISH SEE SPECIFICATIONS		CONTACT TURCK FOR MORE INFORMATION		DO NOT SCALE THIS DRAWING	FILE: U2-23356

A	DRAWING RELEASE	TR	07/15/14	
REV	DESCRIPTION	BY	DATE	ECO NO.